

Important Dates

15 May 2020 – Deadline for registration and abstract submission

30 May 2020 – Notification of acceptance

15 June 2020 – Deadline for conference fee payment

15 July 2020 – Deadline for submission of full paper

31 August 2020 – Program

Accommodation & Venue

The accommodation of conference participants will be provided at the **Evita Hotel & Spa**

<https://evitahotel.pl/>



The commune of Tleń/Osie is situated in the border region of Tuchola Forest and Świecie Highland, crossed by the deep Wda River Valley. The outwash plains, which are overgrown with pine forests and cover the northern and western part of the commune, constitute the predominant element of the landscape. Woods comprise more than 60% of the commune area. The unique nature resources have been granted protection as a part of Wda Landscape Park. Tleń/Osie Commune area is situated within the ethnographic and cultural border of Kociewie. The villages located along the Wda River and the artificial Żurski Reservoir are of particular tourist importance.



Kazimierz Wielki University in Bydgoszcz is a wide profile university with more than 50 years of tradition. During this time it has been rapidly developing and nowadays it consists of nine faculties and ten institutes, which educate over 8,000 students.



Kazimierz Wielki University
Faculty of Mechatronics

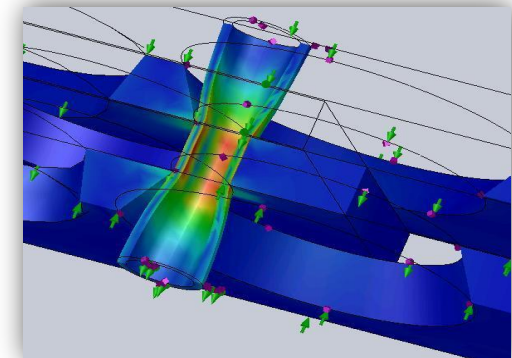


25th Polish-Slovak
Scientific Conference
on

Machine Modelling
and Simulations
MMS 2020

Organized under the auspices of the
Rector Prof. Jacek Woźny

Co-Organisation
Production Engineering Committee
Polish Academy of Sciences



September 8 -11, 2020
Tleń, Poland

Dear Colleagues,

The 25th International Polish – Slovak Conference on **Machine Modeling and Simulations 2020** continues in Poland and will be held from 8th to 11th of **September 2020** in Tleń (Kuyavian-Pomeranian Voivodeship).

This international conference was established in 1996 and is held annually since then every year. Papers from last conferences was published in Elsevier Journal Procedia engineering and MATEC Web of Conferences registered on WoS and SCOPUS.

Scientific Committee

Prof. Marek Macko - Main Chairman (PL)
Prof. Jerzy Bajkowski (PL)
Assoc. Prof. Artem Artyukhov (UA)
Prof. Libor Beneš (CZ)
Prof. Jozef Bocko (SK)
PhD. Eng. Maciej Bodnicki (PL)
Assoc. Prof. Vladimír Dekýš (SK)
Prof. Grzegorz Domek (PL)
Prof. Marian Dudziak (PL)
Assoc. Prof. Róbert Grega (SK)
Assoc. Prof. Radim Halama (CZ)
Prof. Danuta Jasińska-Choromańska (PL)
Prof. Mariusz Kaczmarek (PL)
Assoc. Prof. Marta Kianicová (SK)
Prof. Małgorzata Klimek (PL)
Assoc. Prof. Andrzej Kołodziej (PL)
Assoc. Prof. Ivan Kopal (SK)
Assoc. Prof. Piotr Krawiec (PL)
Assoc. Prof. Jan Krmela (SK)
Assoc. Prof. Vladimíra Krmelová (SK)
Prof. Ireneusz Malujda (PL)
Prof. Janusz Mielniczuk (PL)
Prof. Bernhard Möginger (DE)
Prof. Justín Murín (SK)
Prof. Darina Ondrušová (SK)
Prof. Mariana Pajtášová (SK)
Prof. Františka Pešlová (SK)
Prof. Wiesława Piekarska (PL)
Prof. Bogdan Posiadała (PL)
Assoc. Prof. Jerzy Rojek (PL)
Prof. Milan Sága (SK)

Assoc. Prof. Alžbeta Sapietová (SK)
Prof. Norbert Sczygiol (PL)
Assoc. Prof. Petra Skalková (SK)
PhD. Eng. Ksawery Szykiedans (PL)
PhD. Eng. Krzysztof Talaśka (PL)
Prof. Eva Tillová (SK)
Prof. Nicolae Ungureanu (RO)
Assoc. Prof. Milan Vaško (SK)
Prof. Ján Vavro (SK)
Assoc. Prof. Ján Vavro (SK)
Prof. Robert Zalewski (PL)
Dr.h.c. Prof. Jozef Zajac (SK)
Prof. Zhang Yan (CHN)
Dr.h.c. Prof. Jozef Živčák (SK)
Dr.h.c. Prof. Milan Žmindák (SK)

Organizing Committee

Prof. Marek Macko - Main Chairman
Prof. Grzegorz Domek
Prof. Dariusz Mikołajewski
Prof. Izabela Rojek
PhD. Grzegorz Śmigielski
PhD. Eng. Krzysztof Tyszczyk
MSc. Agnieszka Nowaczyk
MSc. Joanna Nowak
MSc. Magdalena Szymańska
Eng. Jakub Lewandowski

Conference Secretariat

MSc. Agnieszka Nowaczyk
MSc. Magdalena Szymańska
Faculty of Mechatronics
Kazimierz Wielki University
ul. Kopernika 1; 85-074 Bydgoszcz
E-mail: mms2020@mmsconf.eu
<https://mmsconf.eu>

Main Topics

- Methods and systems in machine design
- Modelling and simulation, structural optimization
- Machine dynamics and multibody systems simulations
- Advanced industrial, automotive and green energy applications
- Experimental mechanics, identification and validation
- Modelling of structural materials, composites and nanomaterials.
- Physical and chemical properties of materials
- Theoretical and applied mathematics in engineering

Participant costs

Participant 450€ / 1950 PLN (VAT included)

Participant (second paper) 50€ / 250 PLN (VAT included)

PhD. Student 280€ / 1200 PLN (VAT included)

The conference fee for participant and PhD Students include:

- book of abstracts and journal publications (indexed on Web of Science),
- participation in all scientific sessions,
- accommodation, food, coffee breaks and social evening,
- organizing expenses.

In addition, it is possible to publish an extra article in the Bulletin of the Polish Academy of Sciences: Technical Sciences - special edition (WoS, JCR Impact Factor (2018 - 1.277, 100 points - The Polish Ministry of Science and Higher Education 2019) for **300 €**.

Number of participants is limited.

Date of registration will be decisive.

Conference Contributions

Conference contributions will include invited lectures (30 min) and contributed papers (15 min).

Additional information

The conference languages are English, Slovak and Polish.

